

REJUVENATION®

Entry Plate - Installation Instruction

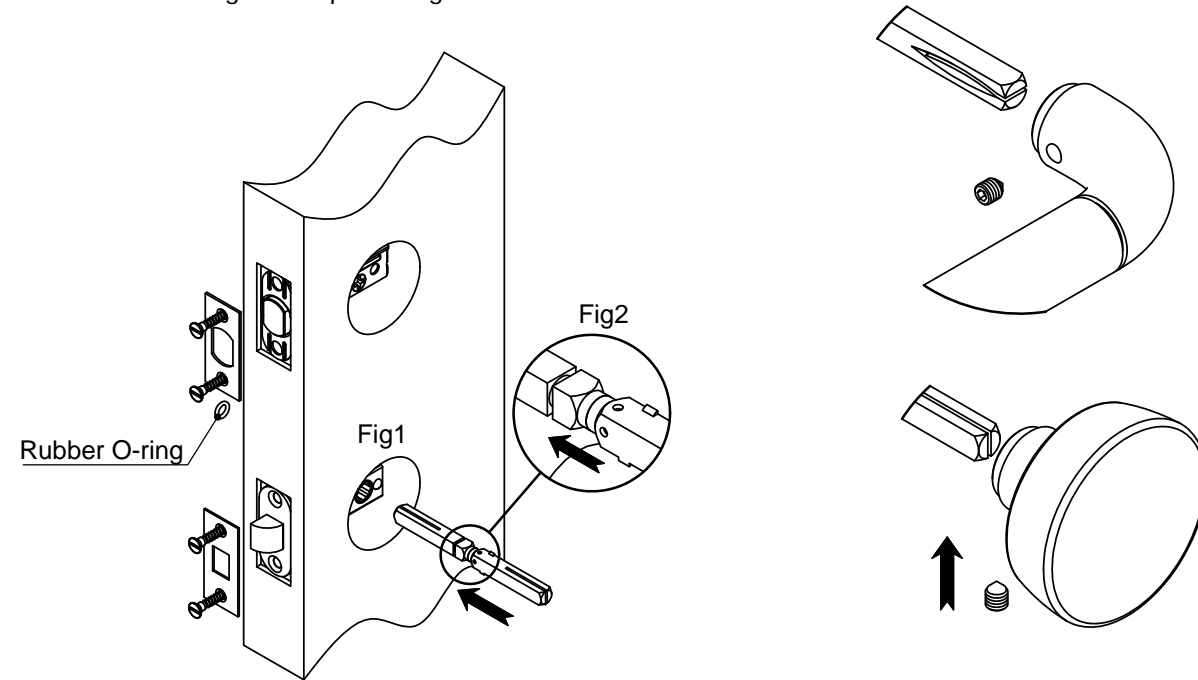
WARNING: Do not install with a power drill

CALIFORNIA PROPOSITION 65 WARNING: This product contains brass hardware components which contain lead, a heavy metal known by the State of California to cause cancer, birth defects, or other reproductive harm.

Step 1

Installing the Latches

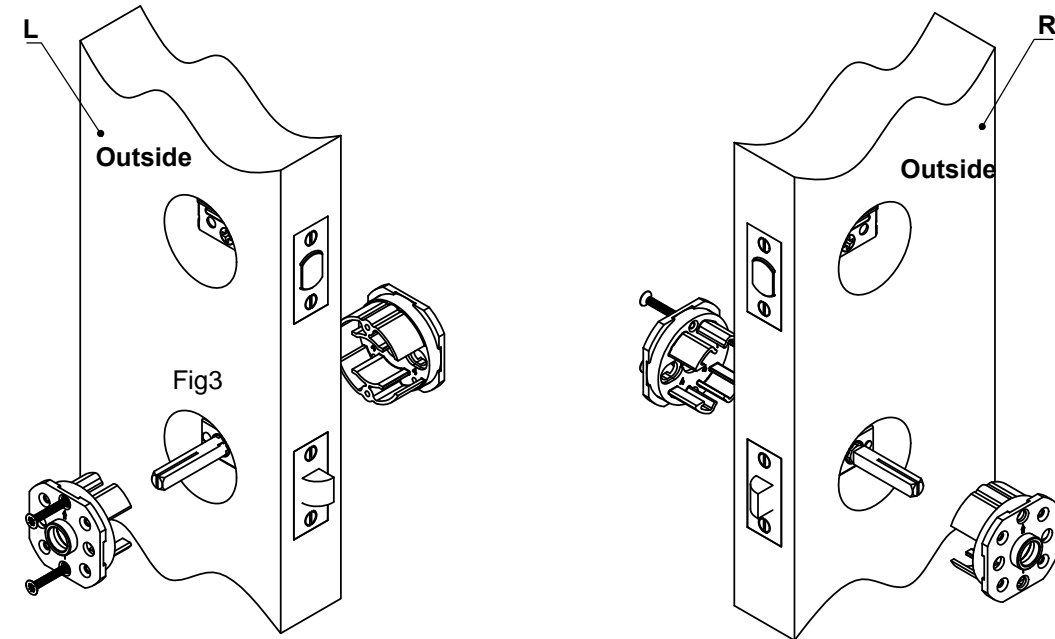
Install latches as shown in Fig 1, install spindle until it stops. When spindle is in position install rubber O-ring on to spindle Fig 2



Step 2

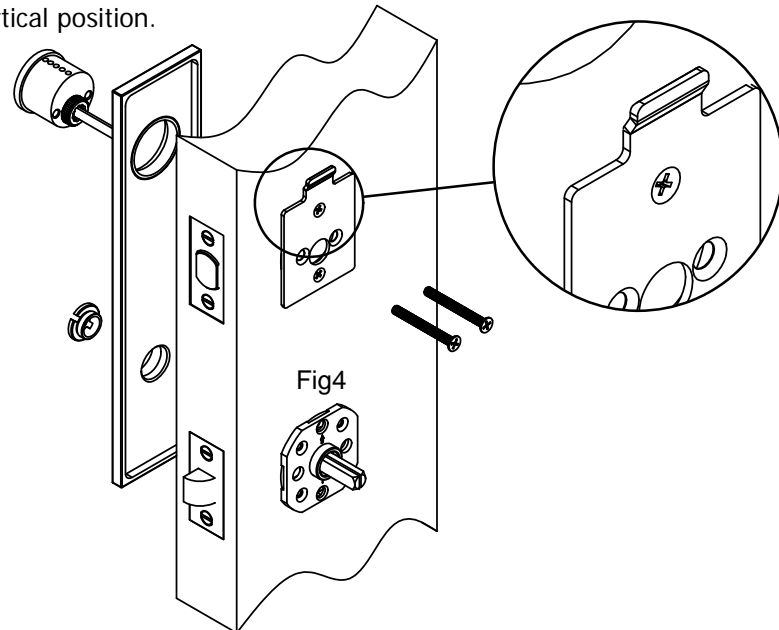
Installing the Brackets.

Note: The bracket is designed to allow the knob to turn in one direction only. There is a male and female half. Make sure that the female half is installed as illustrated below Fig 3. Make sure arrow is pointing up. Secure with provided fasteners.



Step 3

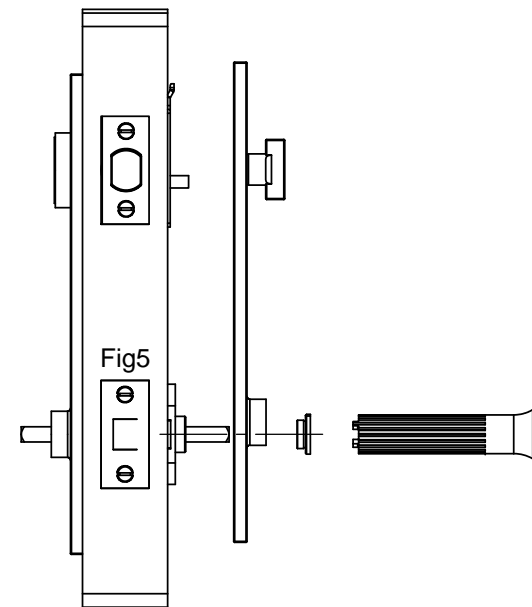
Install the exterior trim using the supplied castle nut and castle nut wrench. Secure the cylinder and plate in Fig 4 using the provided fasteners and interior trim mounting plate (note: fasteners should be snug, but not over-tight). Make sure the tail piece of the cylinder is in the vertical position.



Step 4

Installing the interior plate. Install plate as shown in Fig 5.

With the interior plate tilted out slightly, position it over the trim mounting bracket and gently slide down, aligning the spindle hole over the spindle. Secure with supplied castle nut and wrench.



Step 5

Install the knobs or levers by sliding them onto the spindle and securing with the setscrew and supplied wrench.

