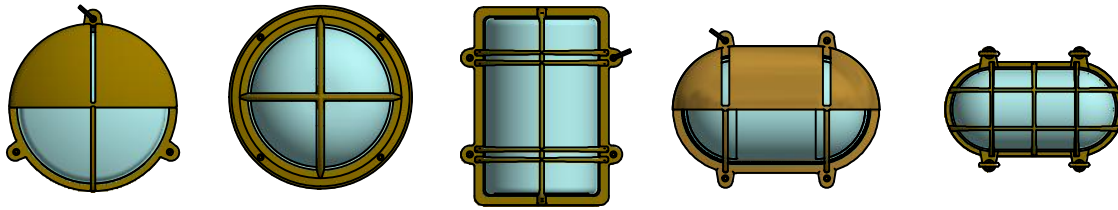


# Seabeck sconce instructions

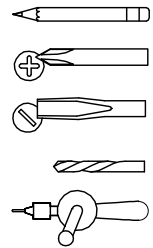
skill level

● basic electrician

## installation instructions

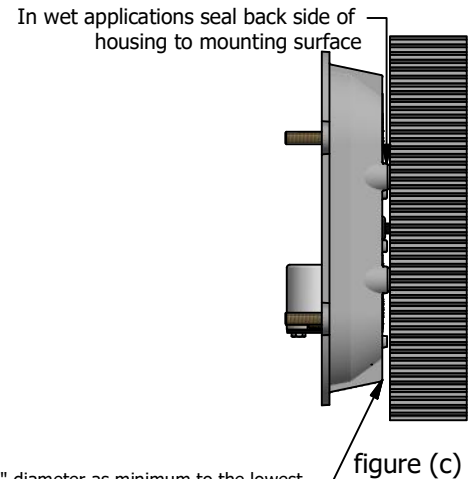
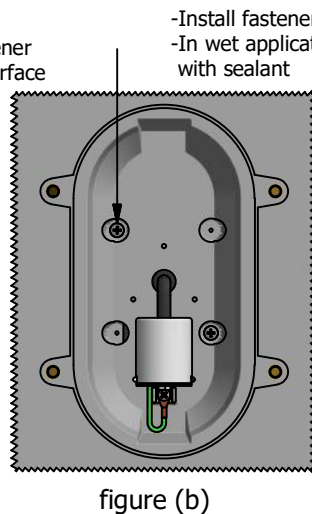
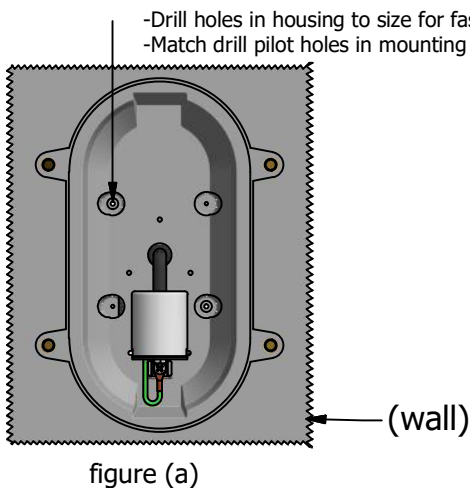


● toolbox



### Install the base:

- Select best mounting holes in the fixture housing for mounting in your specific application. \* Note - this fixture will mount directly to the wall.
- Drill selected mounting holes as shown in the figure (a) below.
- Hold up drilled fixture housing to intended mounting location and mark mounting hole location with pencil onto the mounting surface .
- Drill pilot holes for selected fasteners where marked on previous step
- Hold fixture close to mounting location and make the wiring connections in accordance with local electrical codes (see " important information " on reverse side)
- Mount the fixture housing to predetermined mounting location with the supplied fasteners
- For wet mounting locations please follow the below steps:
  - 1- Please apply sealant over the top of the mounting fasteners as shown in the figure (b) below.
  - 2- A drain hole (1/8" minimum diameter) must be drilled at the bottom of the fixture ,located at the lowest point of the back of housing to prevent water accumulation as shown in figure (c) below.
  - 3 - Once mounted , fully seal the back housing to the mounting location with waterproof sealant as shown in figure (c) below.



Drill drain hole of 1/8" diameter as minimum to the lowest point of the bottom of the fixture to drain the accumulated water.

### Install the glass:

- Check the gasket to assure it is properly seated on the glass
- Center the glass with gasket onto the base of the fixture the housing
- Carefully place the cage over glass assuring gasket has an even spacing to housing
- Install fasteners lightly by hand until snug ,For fixtures with screws, use supplied wrench to properly tighten the fasteners
- \*\* DO NOT OVERTIGHTEN AS THIS COULD CRACK THE GLASS \*\***
- Caution: The glass must be removed from the fixture in order to have access to the canopy mounting screws.

## REJUVENATION

2550 N.W. Nicolai Street, Portland Oregon 97210 Customer Service: 888-401-1900 rejuvenation.com