

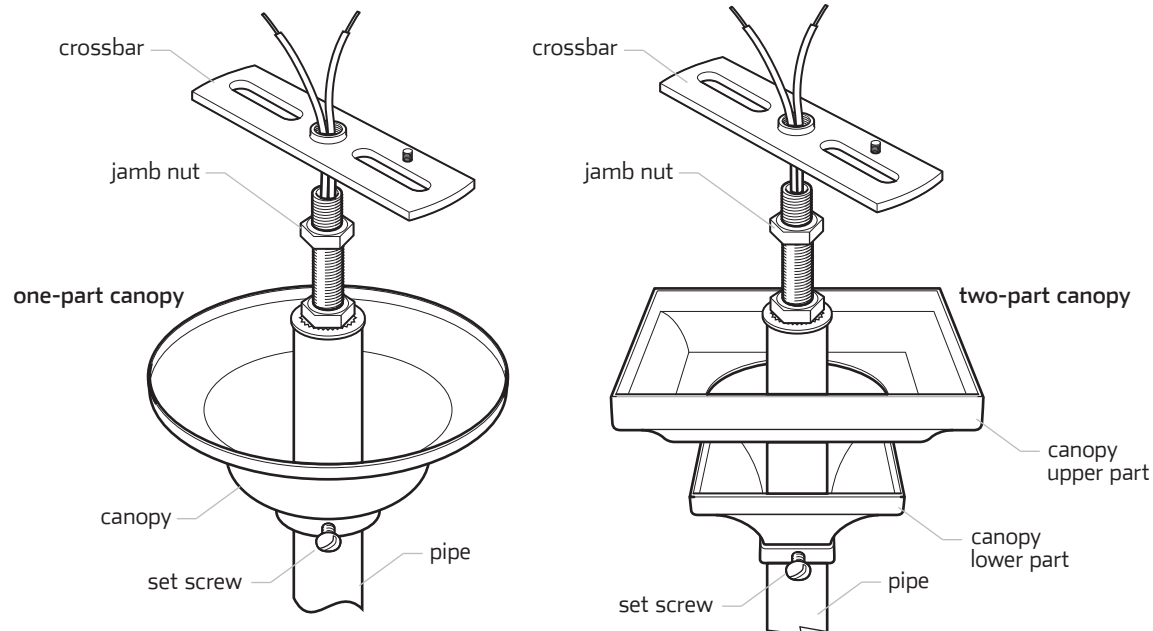
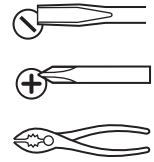
Fixtures with Slip-Type Canopies

skill level • basic electrician

installation instructions

For a safe installation make sure that the electrical box is securely mounted to a structural member of the building.

• toolbox



1. Attach crossbar to electrical box using screws supplied with the box.
2. Loosen set screw on canopy and slip canopy down pipe, carefully to avoid scratching the finish.
3. Screw jamb nut approximately 1/2" down threaded pipe.
4. Slip wires through hole in crossbar and screw the fixture into the crossbar, turning clockwise.
* *Make sure the wires turn with the fixture and do not become twisted.*
5. When fixture is correctly positioned, tighten jamb nut securely against crossbar.
6. Make wiring connections in accordance with local electrical codes.
See "Important Information" on reverse side.
7. Carefully slide canopy up against ceiling and tighten set screw to secure it. If installing a two-part canopy, make sure the two pieces are aligned with each other before tightening the set screw.

Complete !

REJUVENATION®

2550 N.W. Nicolai Street, Portland Oregon 97210 Customer Service: 888 401-1900 rejuvenation.com

Z8754