



**Features:**

- Acrylic diffused LED lighting
- Anodized aluminum frame in matte black, brushed gold, or brushed bronze
- CRI 90+ R9>50
- 2700K-6500K color temperature adjustment
- 10%-100% light dimmer
- Brightness and color temperature memory settings
- Heated mirror defogger
- Touch on/off
- Safety film backing
- Copper free
- IP44 rated for safe use in bathrooms
- ETL certified for North American use
- 110V plug in installation, can be hardwired
- Can be controlled with a light switch
- Lamp life : 50,000 hours

**Size (WxHxD):**

23 5/8" x 23 5/8" x 1 1/4  
(600mm x 600mm x 31mm)

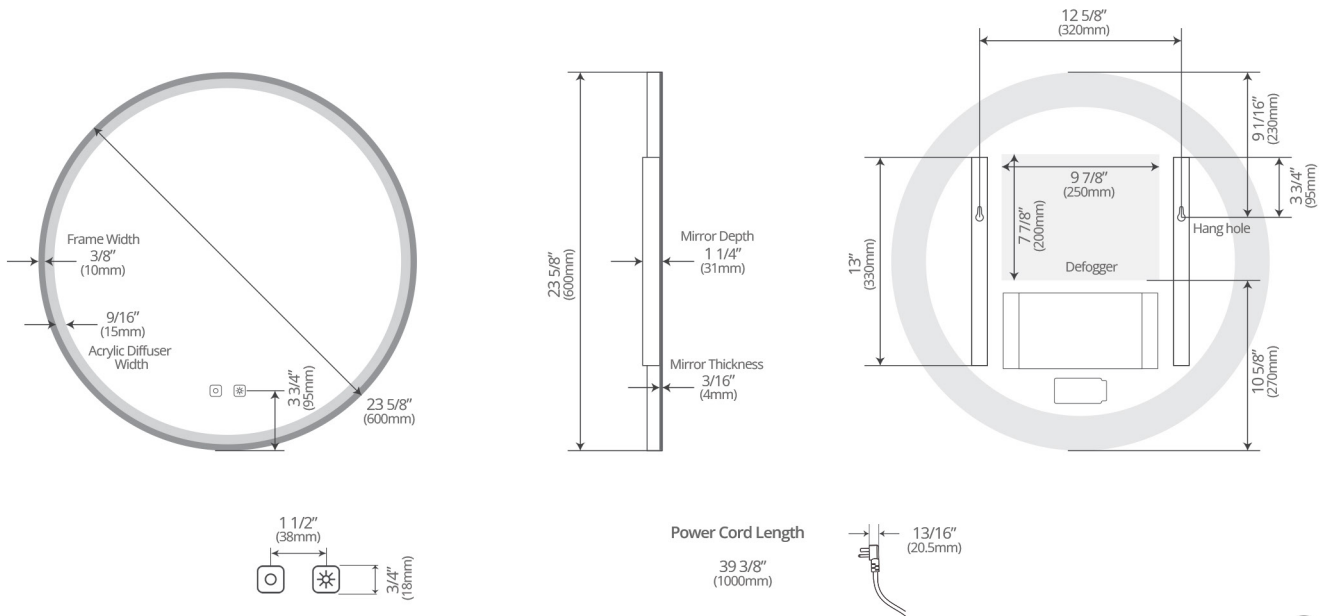
Model #	Description	Color Temperature	Lumens	Watts	Volts	Weight (lb)
ID1024.BB	Denver 24" LED Mirror - Brushed Bronze	2700K - 6500K	1900	14W	110V	9.3
ID1024.BG	Denver 24" LED Mirror - Brushed Gold	2700K - 6500K	1900	14W	110V	9.3
ID1024.MB	Denver 24" LED Mirror - Matte Black	2700K - 6500K	1900	14W	110V	9.3

**Warranty:** 5 Years - refer to [www.icobath.com](http://www.icobath.com) for full warranty coverage details.

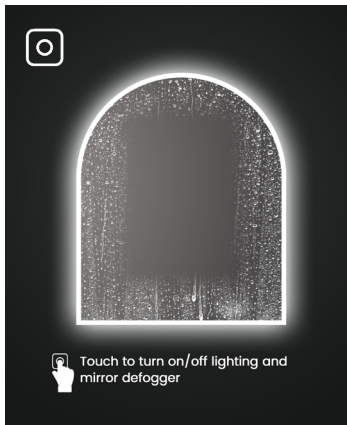
**Included Hardware:** Screws, mounting brackets are included.

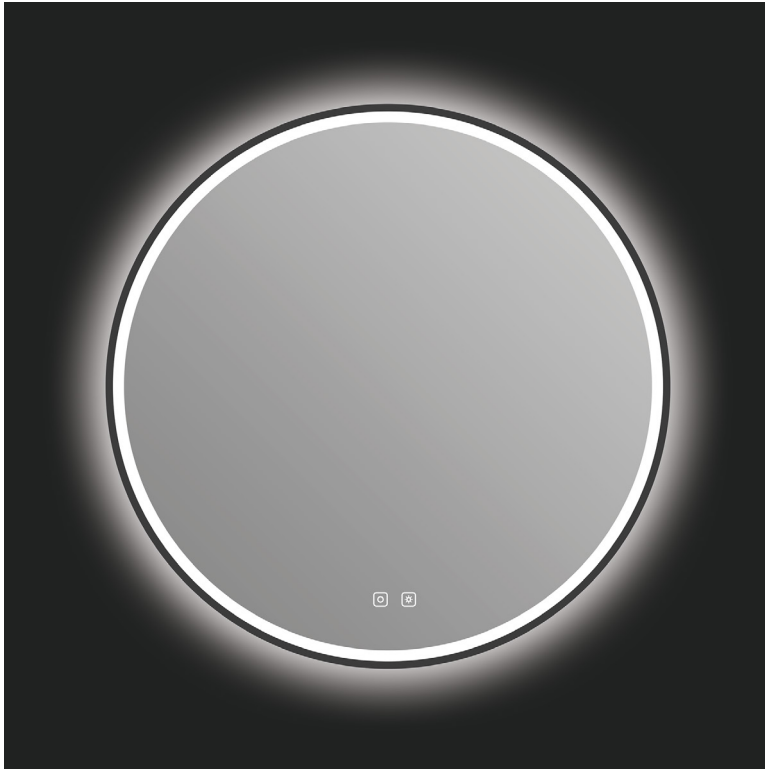
**Care & Maintenance:** A periodic wash using warm water and a soft cloth will retain the quality of your LED mirror for many years to come. ON NO ACCOUNT should any household bleaches, detergents, abrasive polishes, steel wool or other cleaning agents be used on this item.

## Diagram and measurements:



## Touch button details:





**Features:**

- Acrylic diffused LED lighting
- Anodized aluminum frame in matte black, brushed gold, or brushed bronze
- CRI 90+ R9>50
- 2700K-6500K color temperature adjustment
- 10%-100% light dimmer
- Brightness and color temperature memory settings
- Heated mirror defogger
- Touch on/off
- Safety film backing
- Copper free
- IP44 rated for safe use in bathrooms
- ETL certified for North American use
- 110V plug in installation, can be hardwired
- Can be controlled with a light switch
- Lamp life : 50,000 hours

**Size (WxHxD):**

29 1/2" x 29 1/2" x 1 1/4"  
(750mm x 750 mm x 31 mm)

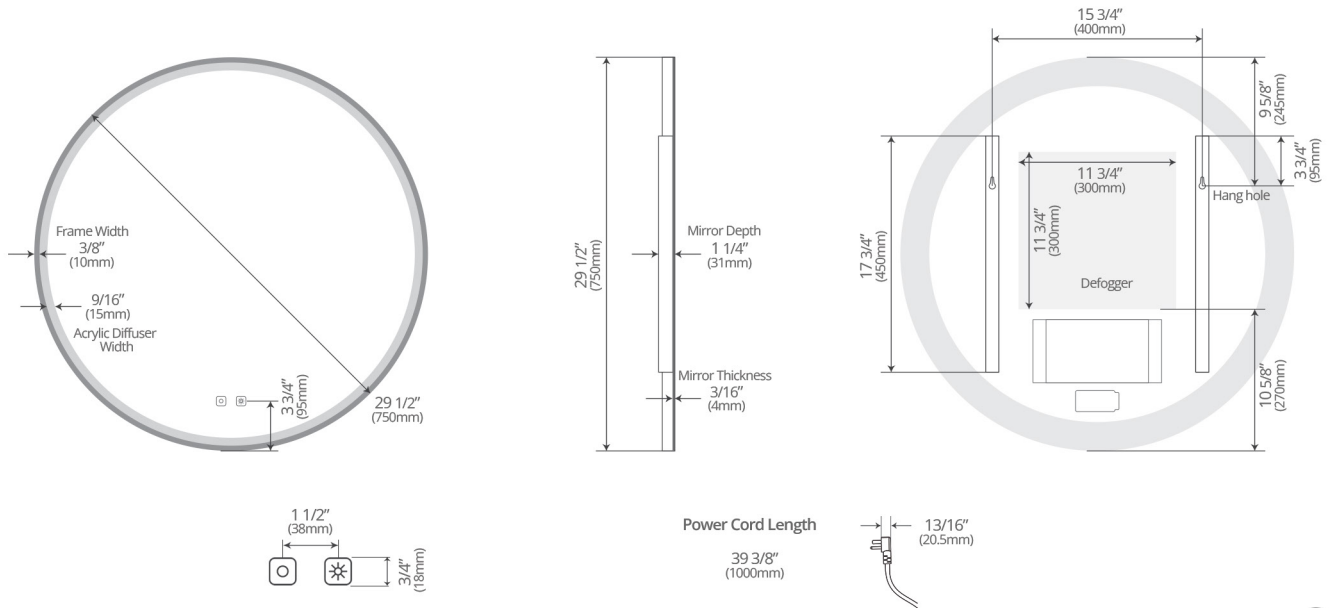
Model #	Description	Color Temperature	Lumens	Watts	Volts	Weight (lb)
ID1030.BB	Denver 30" LED Mirror - Brushed Bronze	2700K - 6500K	2400	17W	110V	13.4
ID1030.BG	Denver 30" LED Mirror - Brushed Gold	2700K - 6500K	2400	17W	110V	13.4
ID1030.MB	Denver 30" LED Mirror - Matte Black	2700K - 6500K	2400	17W	110V	13.4

**Warranty:** 5 Years - refer to [www.icobath.com](http://www.icobath.com) for full warranty coverage details.

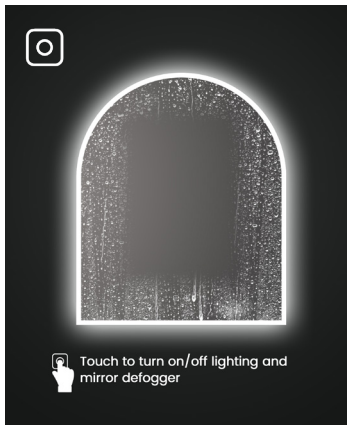
**Included Hardware:** Screws, mounting brackets are included.

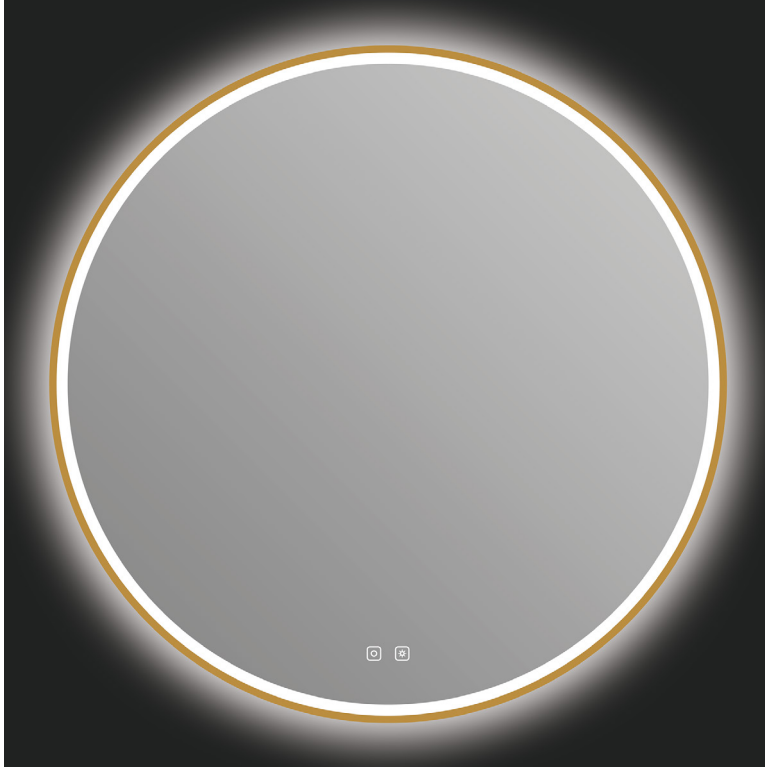
**Care & Maintenance:** A periodic wash using warm water and a soft cloth will retain the quality of your LED mirror for many years to come. ON NO ACCOUNT should any household bleaches, detergents, abrasive polishes, steel wool or other cleaning agents be used on this item.

## Diagram and measurements:



## Touch button details:





**Features:**

- Acrylic diffused LED lighting
- Anodized aluminum frame in matte black, brushed gold, or brushed bronze
- CRI 90+ R9>50
- 2700K-6500K color temperature adjustment
- 10%-100% light dimmer
- Brightness and color temperature memory settings
- Heated mirror defogger
- Touch on/off
- Safety film backing
- Copper free
- IP44 rated for safe use in bathrooms
- ETL certified for North American use
- 110V plug in installation, can be hardwired
- Can be controlled with a light switch
- Lamp life : 50,000 hours

**Size (WxHxD):**

35 3/8" x 35 3/8" x 1 1/4  
(900mm x 900 mm x 31 mm)

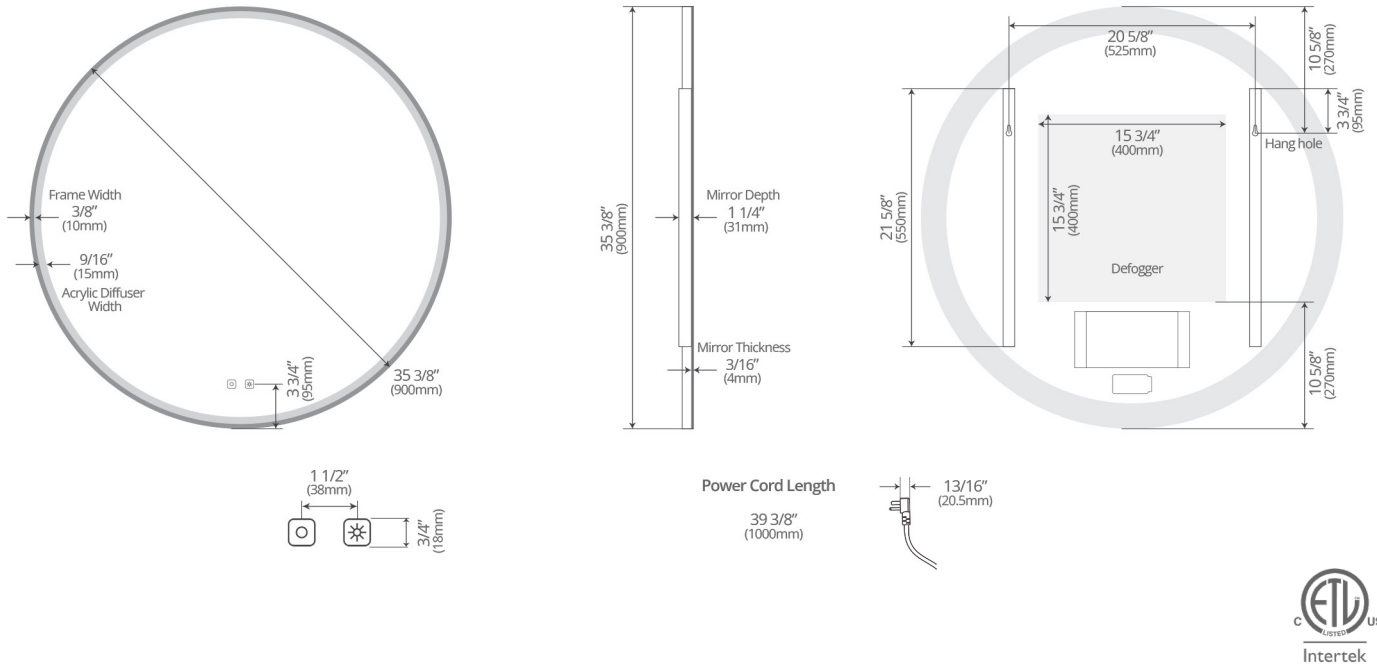
Model #	Description	Color Temperature	Lumens	Watts	Volts	Weight (lb)
ID1036.BB	Denver 36" LED Mirror - Brushed Bronze	2700K - 6500K	3100	22W	110V	18.1
ID1036.BG	Denver 36" LED Mirror - Brushed Gold	2700K - 6500K	3100	22W	110V	18.1
ID1036.MB	Denver 36" LED Mirror - Matte Black	2700K - 6500K	3100	22W	110V	18.1

**Warranty:** 5 Years - refer to [www.icobath.com](http://www.icobath.com) for full warranty coverage details.

**Included Hardware:** Screws, mounting brackets are included.

**Care & Maintenance:** A periodic wash using warm water and a soft cloth will retain the quality of your LED mirror for many years to come. ON NO ACCOUNT should any household bleaches, detergents, abrasive polishes, steel wool or other cleaning agents be used on this item.

## Diagram and measurements:



## Touch button details:

