



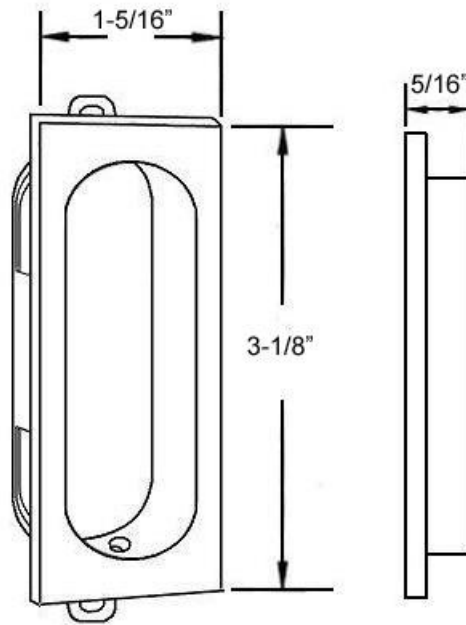
by St. Simons, Inc.

Quality Solid Brass Decorative Hardware & Bath Accessories

"The Special Finishes Specialist" ©

idhbrass.com

Installation Instructions Premium Grade Solid Brass Rectangular Flush Pull Item# 25400



Dimensions:

- Overall Height: 3-1/8"
- Overall Width: 1-5/16"
- Overall Depth: 7/16"
- Weight: 2-1/4 oz.

Dimensions are for reference use only.

For exact dimensions, please measure actual part.

Installation Instructions:

1. Bend tabs of back cover. Do not over bend or break.
2. Place back cover in desired position and trace.
3. Mortise to accommodate depth of the pull.
4. Use front face plate to mark outline and mortise.
5. Mark and drill pilot holes.
6. Use provided screws to secure the pull.



Catalog Section: E

Rectangular Flush Pull

Item# 25400

Date: Rev 05/18