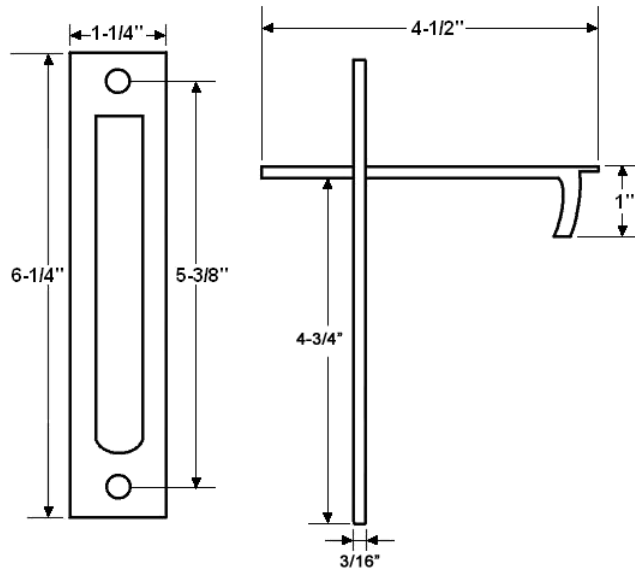


REJUVENATION

Installation Instructions 6-1/4" Large Edge Pull

C4058, C4059, C4062, C4065, C4066



Dimensions:

- Overall Height: 6-1/4"
- Overall Width: 1-1/4"
- Center to Center: 5-3/8"
- Overall Projection: 4-1/2"
- Backwards Projection/Mortise depth: 1-1/4"
- Net Weight: 7.5 oz.
- Solid Brass Wood Screws

Dimensions are for reference use only.

For exact dimensions, please measure actual part.

Installation Instructions:

TOOLS REQUIRED:

Phillips Screwdriver, Drill, 3/32" Drill Bit for Pilot Holes, Hammer, Small Chisel, and Pencil

1. Position in center of door edge approximately 40" to 42" from bottom of door, with pull handle facing out. Mark outside shape and screw hole locations.
2. Mortise door edge to fit plate and pull handle in position.
3. Drill, position, and secure.



For technical support, please call 888-401-1900

6-1/4" Edge Pull