



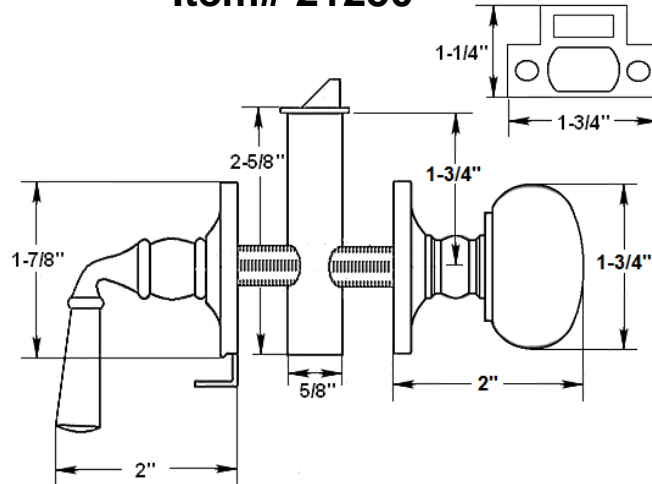
"The Special Finishes Specialist" ©

by St. Simons, Inc.

idhbrass.com

Quality Solid Brass Decorative Hardware & Bath Accessories

Installation Instructions
Premium Grade Solid Brass
Storm Screen Door Latch with Rosettes
Item# 21250



Dimensions:

- Backset: 1-3/4"
- Rosette Diameter: 1-7/8"
- Knob & Lever Projection: 2"
- Latch Length: 2-5/8"
- Latch Diameter: 5/8"
- Knob Diameter: 1-3/4"
- Lever Length: 2"
- Spindle Length: 3-3/8"
- Weight: 10-1/2 oz.

*Dimensions are for reference use only.
 For exact dimensions, please measure actual part.*

Installation Instructions:

1. Drill 5/8" diameter spindle hole through door face, with center 1-3/4" from door edge.
2. Drill 5/8" diameter latch hole, 2-3/4" deep, in center of door edge, aligned with spindle hole.
3. Insert the latch assembly.
4. Push latch tongue in completely while inserting spindle through spindle hole, with open side of spindle away from door edge.
5. Mount plates, knob and lever handle.
6. For strike, drill 3/4" diameter hole 1/2" deep in door jamb opposite latch center. Mortise strike 1/16" deep.



Catalog Section: I

Storm Screen Door Latch with Rosettes

Item# 21250

Date: Rev 05/19