

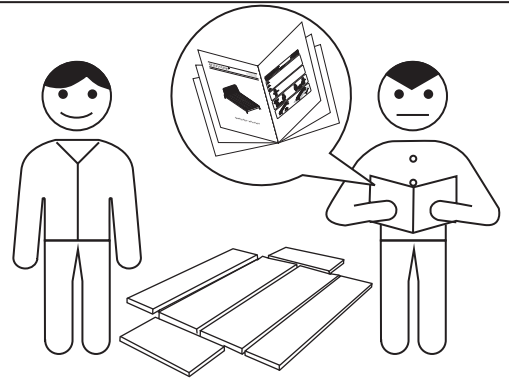
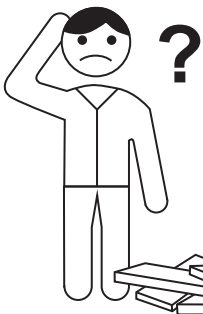
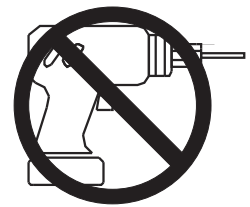
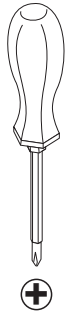
REJUVENATION



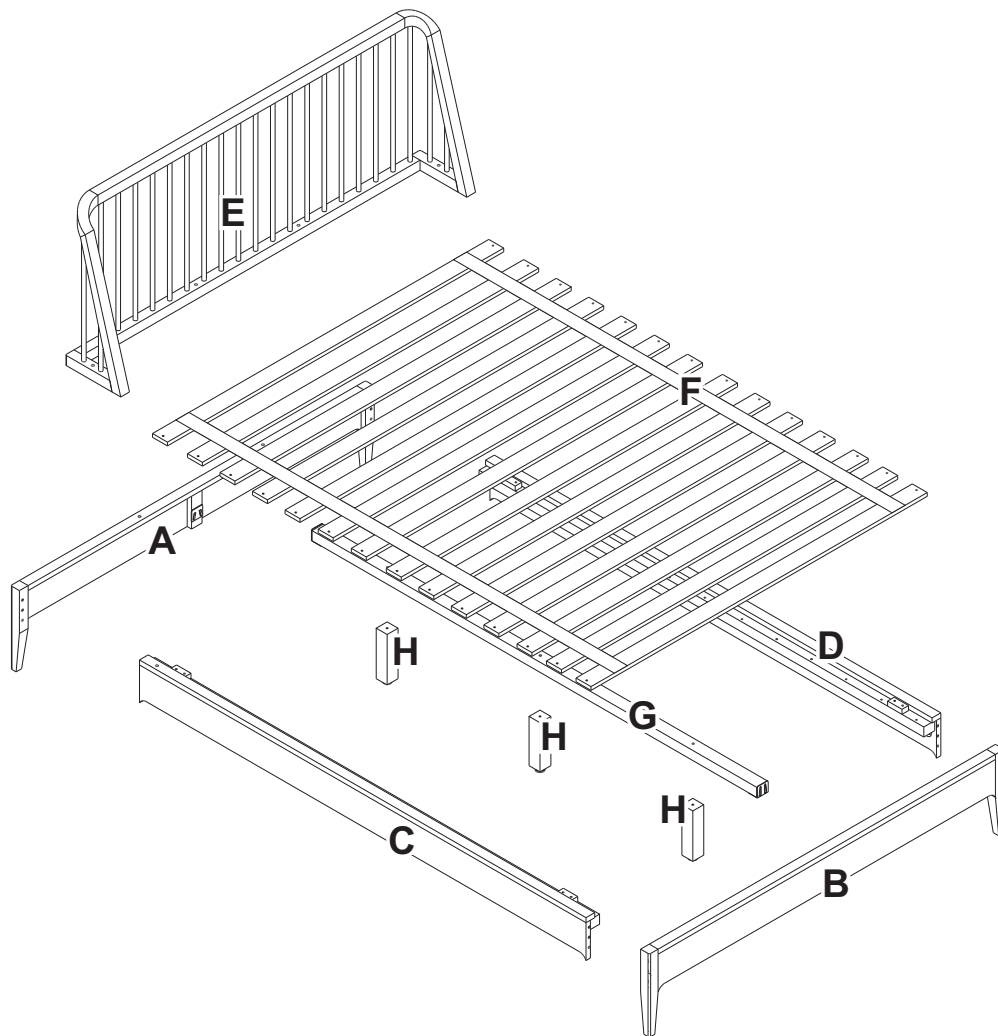
PERKINS BED




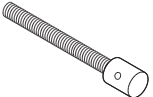
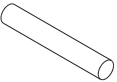
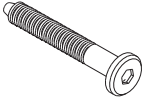
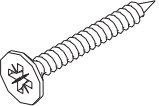
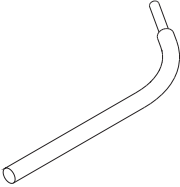
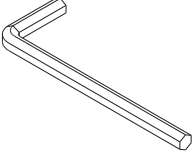
Do not dispose of any packaging or contents of the shipping carton until assembly is completed to avoid accidentally discarding small parts or hardware.



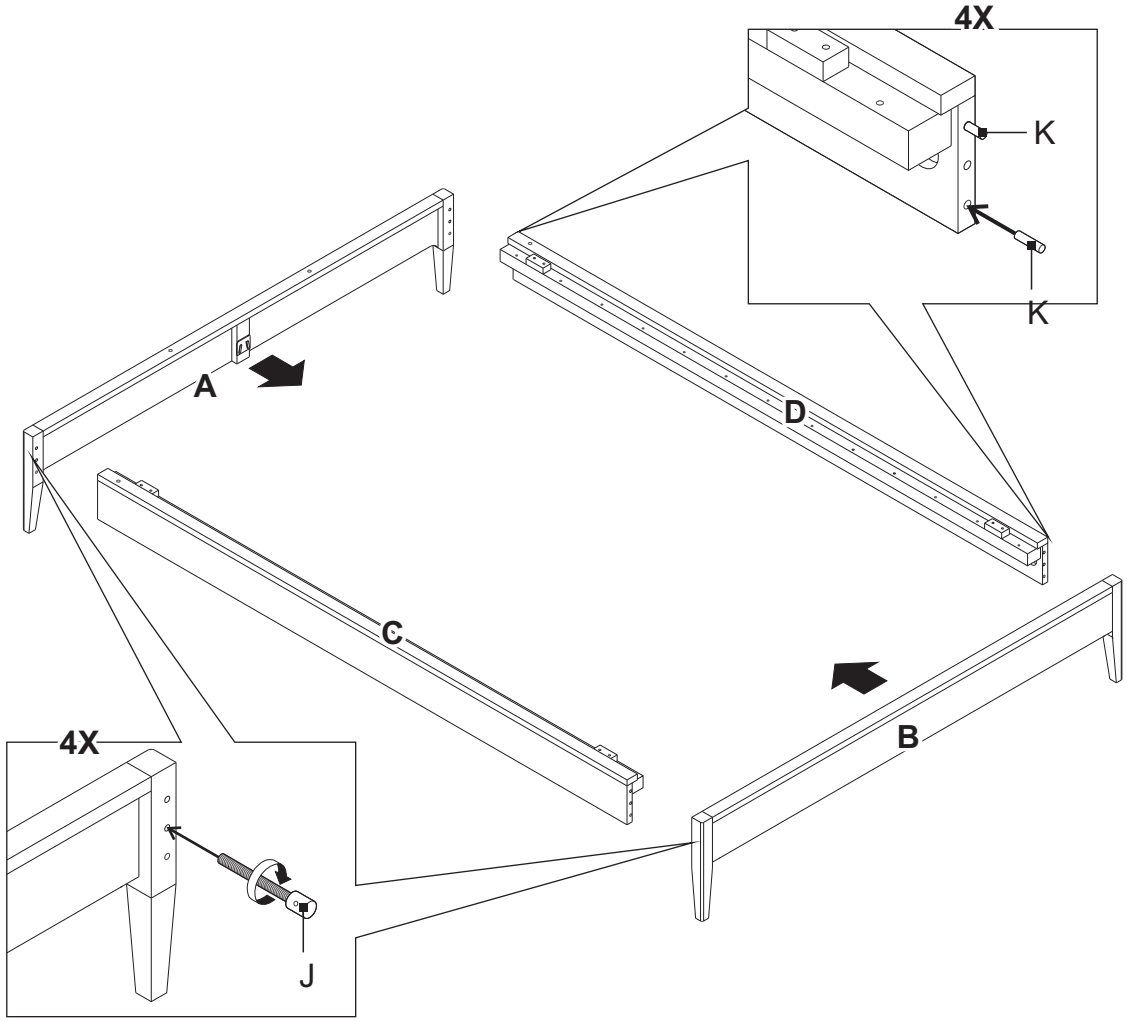
Parts :



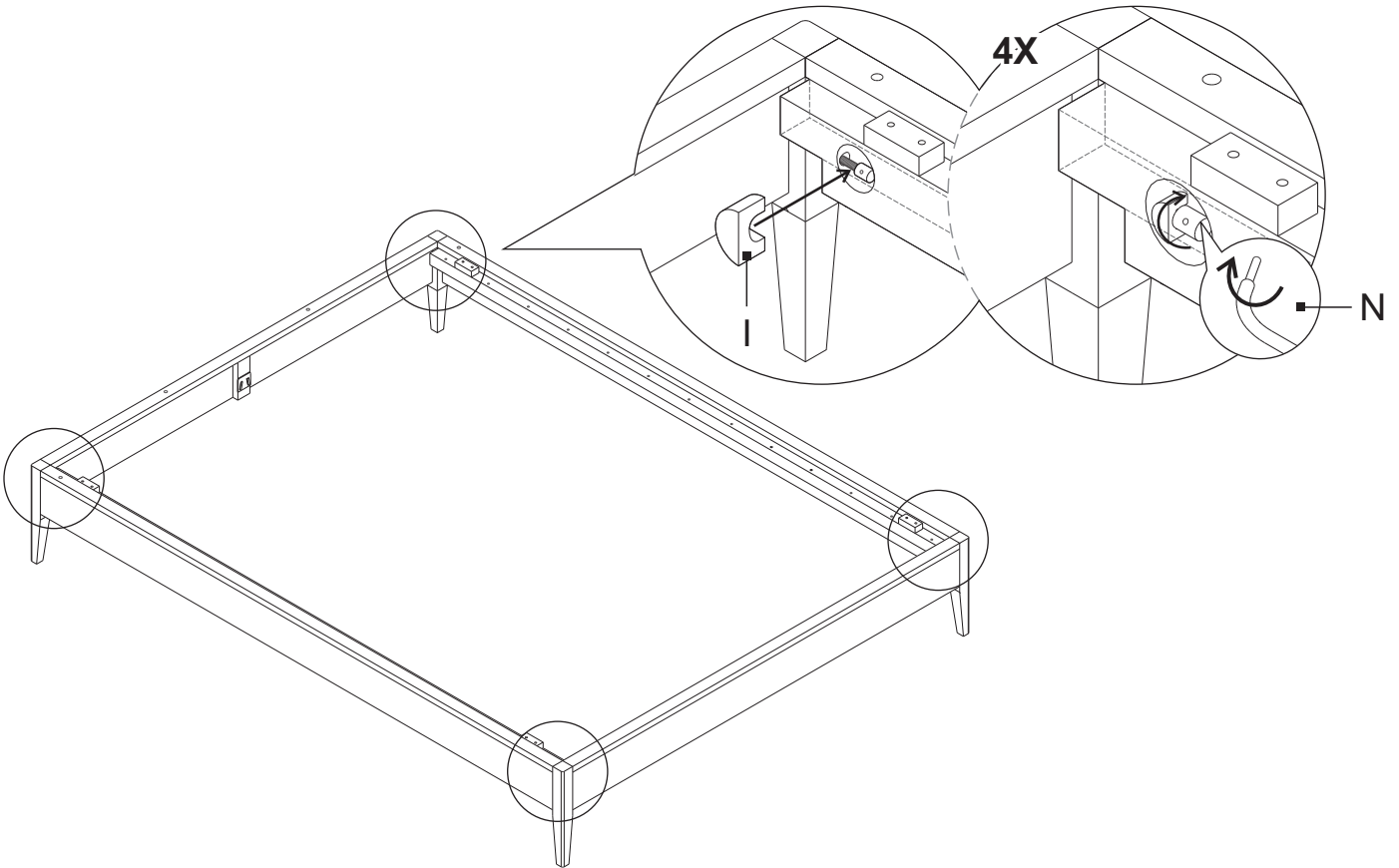
Hardware :

<p>I</p> <p>Half moon washer</p>  <p>4X</p>	<p>J</p> <p>Bolt</p>  <p>M8 x 10cm (4X)</p>	<p>K</p> <p>Dowel</p>  <p>Ø12 x 5cm (8X)</p>	<p>L</p> <p>Allen bolt</p>  <p>M6 x 7cm (4X)</p>
<p>M</p> <p>Screw</p>  <p>M8 x 1" (28X)</p>	<p>N</p> <p>Bolt Key</p>  <p>(1X)</p>	<p>O</p> <p>Allen Key</p>  <p>(1X)</p>	

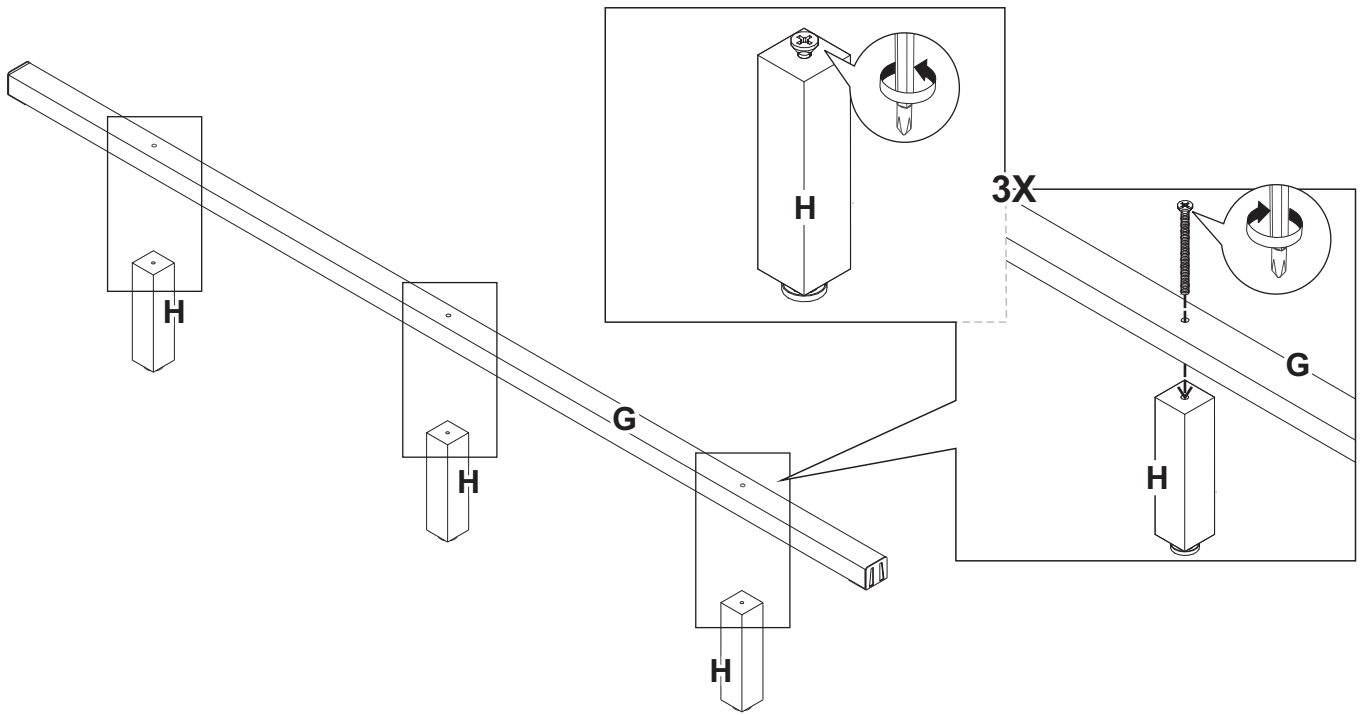
1



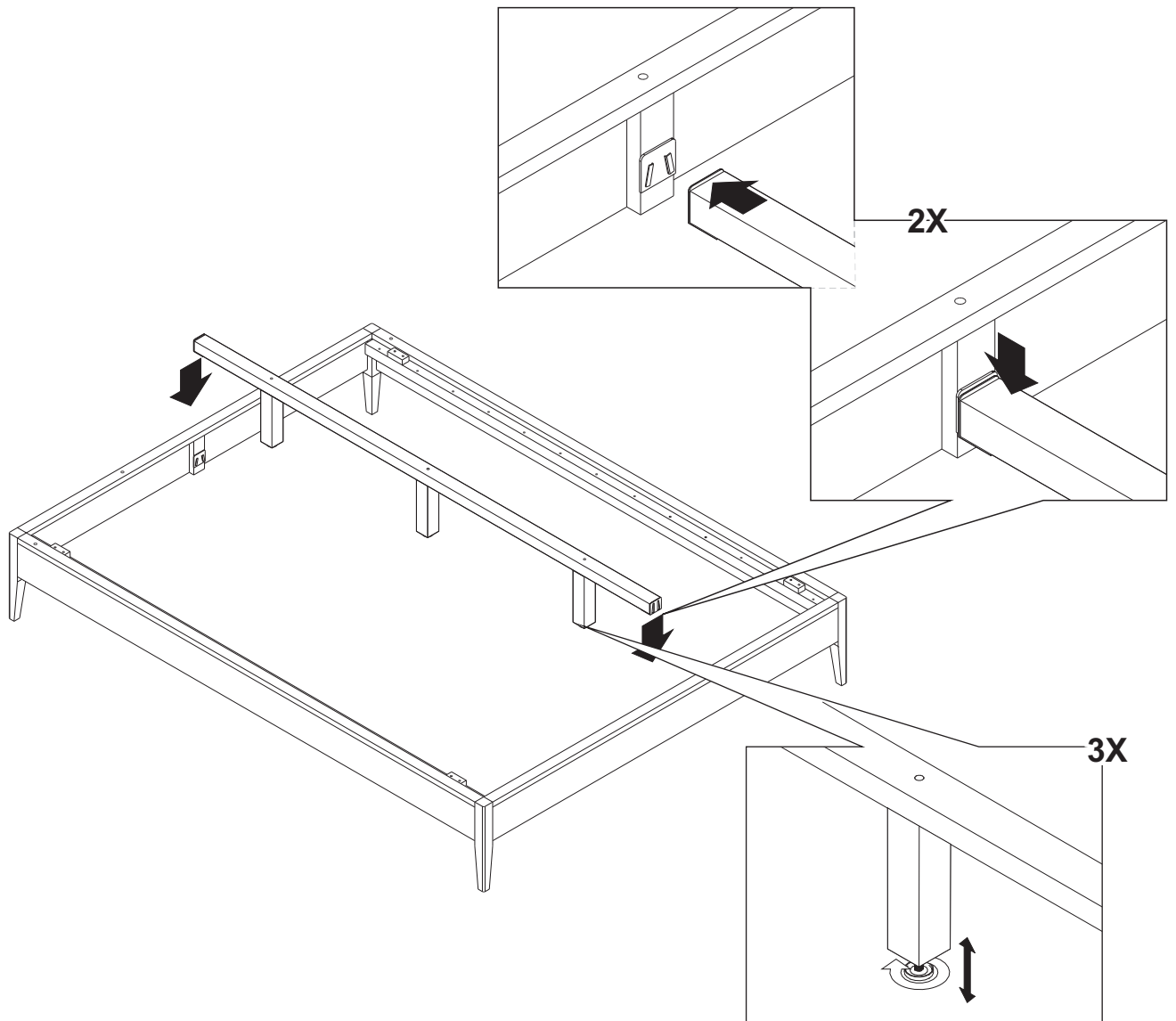
2



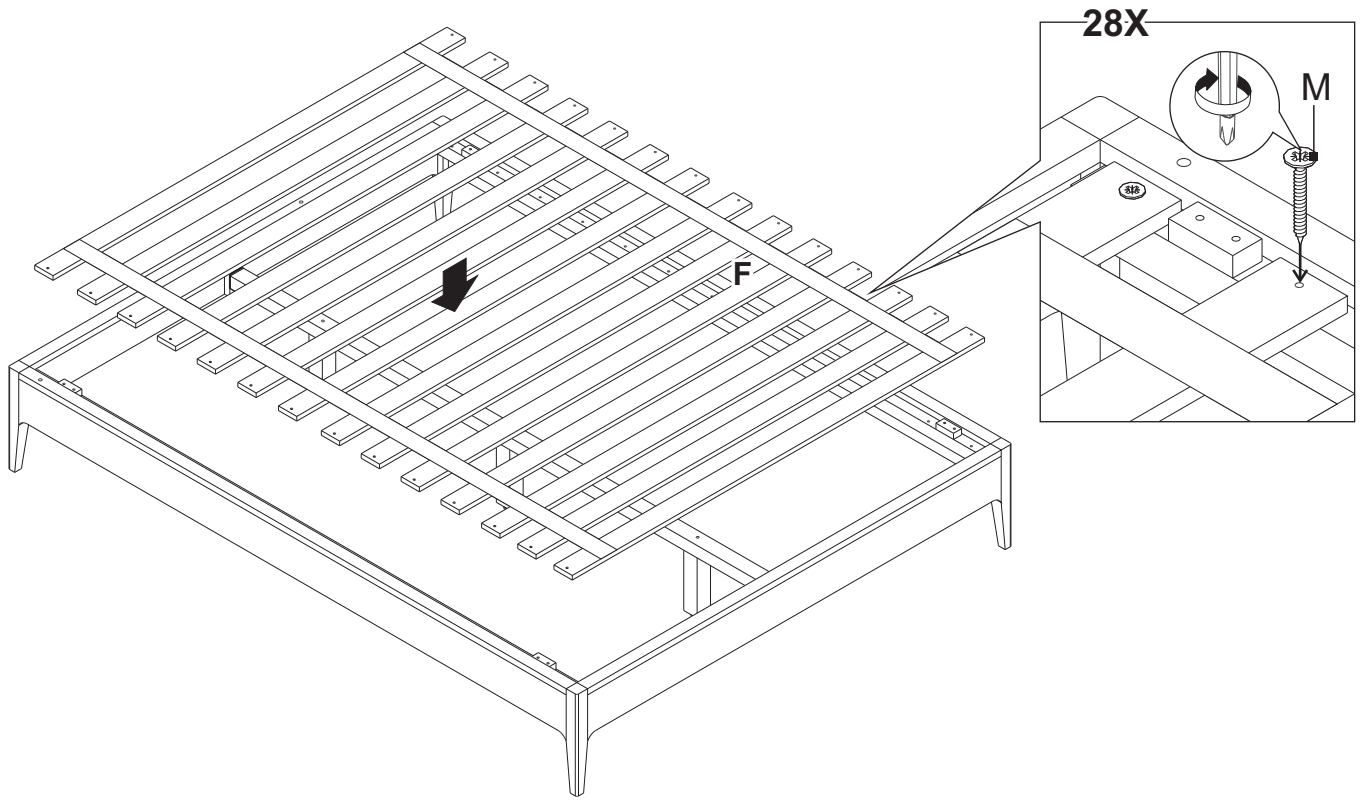
3



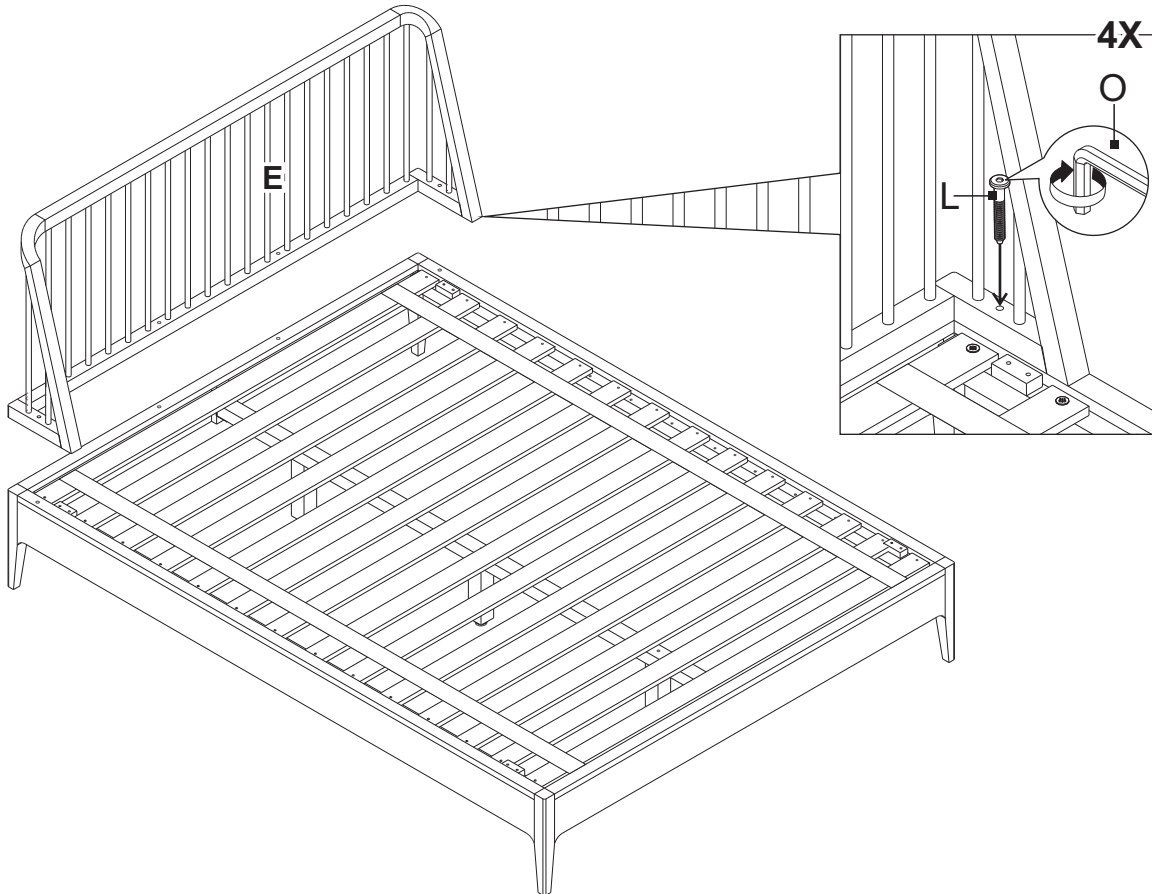
4



5



6



Care Instructions:

- * Dust often using a clean, soft, dry and lint-free cloth.
- * Blot spills immediately and wipe with a clean, damp cloth.
- * We do not recommend the use of chemical cleansers, abrasives or furniture polish on our lacquered finish.

Thank you for your purchase
Storage / catalogue /
www.rejuvenation.com